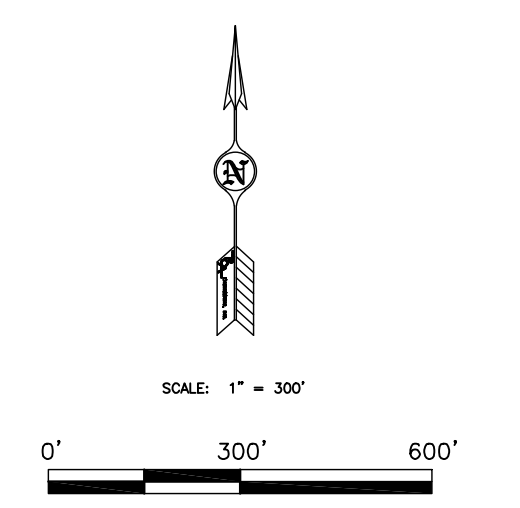


SOUTHERN INDUSTRIAL ADDITION ANNEXATION

LOCATED IN PORTIONS OF THE SESE & SWSE SECTION 2, PORTIONS OF SECTION 11 AND PORTIONS OF THE SWNW & NWSW SECTION 12, T49N, R72W OF THE 6TH P.M., CAMPBELL COUNTY, WYOMIING



NOTE 1:
THE SOUTHSIDE ADDITION ANNEXATION PLAT WHICH PURPORTS TO FOLLOW THE SOUTH RIGHT OF WAY OF HIGHWAY 59 DOES NOT FIT WELL WITH THE RECOVERED CORNERS ALONG THAT SECTION OF HIGHWAY 59. GIVEN THAT THE SOUTHSIDE ADDITION DEPICTS HAVING ONLY 3 CORNERS RECOVERED ON THE EXTERIOR BOUNDARY AND THESE ARE LOCATED SOME DISTANCE FROM THIS AREA, I HELD MY RETRACED POSITION FOR THE SOUTH RIGHT OF WAY OF STATE HIGHWAY 59 AND CALL THE INTENT OF THIS ANNEXATION TO BE CONTIGUOUS WITH THE PREVIOUS ANNEXATION PLAT.

NOTE 2:
THE NORTHEASTERLY RIGHT OF WAY CURVE OF HWY 59 WAS DETERMINED BY HOLDING THE DATA FROM WYDOT PLANS 1107 AND ROTATING -0°15' CCW TO FIT THIS SURVEY AS WELL AS SCALING BY 0.99971. I THEN DETERMINED THE P.C. LOCATION RELATIVE TO THE RECORDED DISTANCE FROM THE FOUND NW CORNER OF THE WARRANTY DEED (BOOK 877 PHOTOS, PG 522). THIS METHOD BEST HONORS THE WYDOT ROW DESCRIPTION AND KEEPS THE CURVE TANGENT. THE FOUND SW CORNER OF THIS WARRANTY DEED MISSED THIS BOUNDARY LINE BY APPROX. 0.3 FT, WHICH I FELT WAS REASONABLE AND A VERIFICATION OF THE METHOD USED.

HOWEVER, THIS DOES NOT FIT WITH THE BOUNDARY FOR JAPP SUBDIVISION (BOOK 8 OF PLATS PAGE 25) - WHICH I BELIEVE ERRONEOUSLY UTILIZED THE CENTERLINE DATA FROM WYDOT PROJECT SCP-ST-043-2(17), WHICH STATES ON THE FACE OF THE PLANS TO REFER TO PROJECTS 1107 AND PSF 6109 FOR RIGHT OF WAY INFORMATION.

LEGEND	
	FOUND SECTION CORNER
	FOUND QUARTER CORNER
	FOUND SIXTEENTH CORNER
	SET SIXTEENTH CORNER
	FOUND PROPERTY CORNER
	SET PROPERTY CORNER
	CALCULATED POSITION
	FOUND RIGHT OF WAY MONUMENT
	EXISTING CITY OF GILLETTE CORPORATE LIMITS
	SECTION LINES
	LOT LINES
	ANNEXATION BOUNDARY
	AC ALUMINUM CAP
	PC PLASTIC CAP
	BC BRASS CAP

Prepared for:
CITY OF GILLETTE
P.O. BOX 3003
GILLETTE, WY 82717-3003
307-686-5265

PCA CIVIL ENGINEERING SURVEYING MATERIAL TESTING ENGINEERING INC.
4506 Wigwam Blvd.
P.O. Box 2185
Gillette, Wyoming 82718
307-687-5600

COPYRIGHT © ALL RIGHTS RESERVED BY PCA ENGINEERING, INC.

Drawn by: SS	Design by: DV	Reviewed by: DV
Revision Date	Revision Description	

PCA Project Number: 143580.00
Plot Date: Oct 20, 2014 - 10:45am
G:\PROJECTS\14358000 COG - Southern Industrial Addition\MainP.dwg
Layout: Plot 1
X-Ref: ...

SOUTHERN INDUSTRIAL ADDITION ANNEXATION
LOCATED IN PORTIONS OF THE SESE & SWSE SECTION 2, PORTIONS OF SECTION 11 AND PORTIONS OF THE SWNW & NWSW SECTION 12, T49N, R72W OF THE 6TH P.M., CAMPBELL COUNTY, WYOMIING

ANNEXATION PLAT

SHEET 1 OF 2

